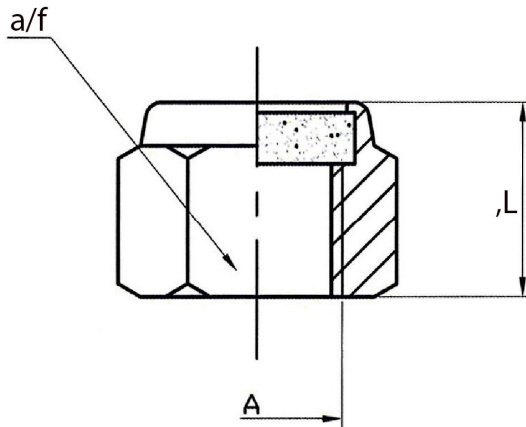


For reducing the exhaust noise generated by pneumatic equipment.

Operating pressure:	Max. 10 bar
Operating temperature:	-10 °C to +250 °C
Port:	G thread acc. to DIN EN ISO 228-1
Pore size:	70 to 90 µm



565-2

Silencer, sintered bronze, flat type with female thread

Art. No.	Type No.	Thread A	a/f mm	L mm	Flow rate l/min.	Noise level, reduced
113357	565-0	M5	8	8.0	-	-
113358	565-1	G 1/8	13	10.0	960	20 dB(A)
113359	565-2	G 1/4	16	11.0	1920	20 dB(A)
113360	565-3	G 3/8	19	12.0	2880	20 dB(A)
113361	565-4	G 1/2	24	13.0	5280	20 dB(A)
113362	565-5	G 3/4	32	18.0	-	-

Noise level measurements at $P_1 = 6$ bar, distance 1 m
Flow at $P_1 = 6$ bar and $\Delta p = 1$ bar

- The use of silencers does not automatically reduce exhaust noise to a safe level.
The need for other noise-reducing measures, such as hearing protection, must be assessed as well.

- Uses and applications are the responsibility of the user. However, it is necessary to carry out appropriate tests before use in order to convince yourself of the desired function under the respective conditions.
All further claims, in particular liability for consequential damages, are excluded in principle.